



rmaspport.com/badminton



CLUB BADMINTON PRESCRIPTION FORM

Invoice Address

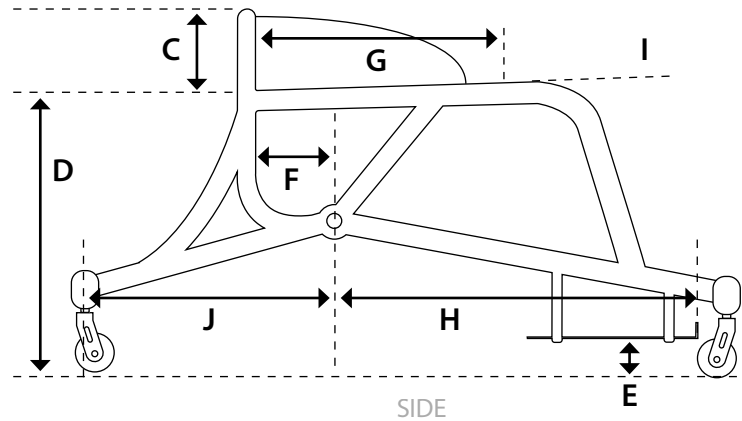
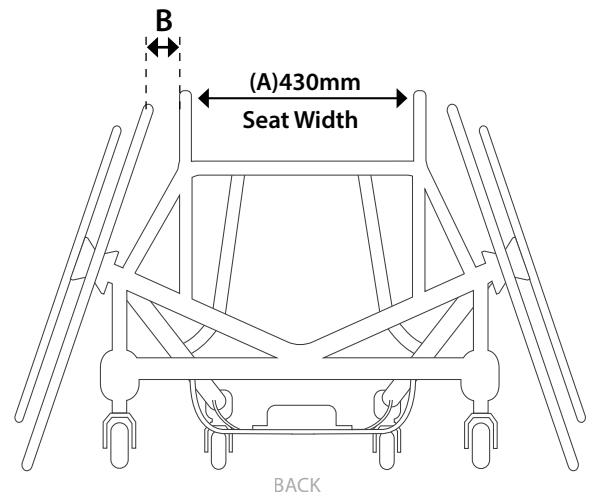
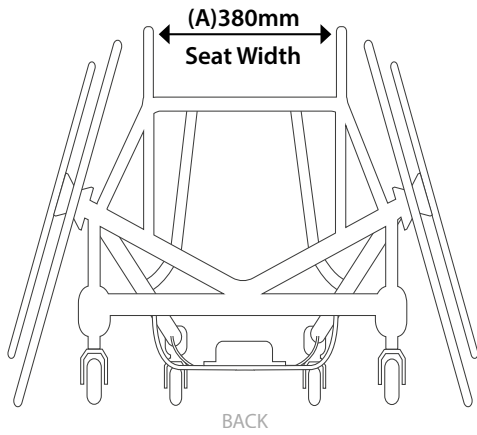
Full Name
Address
Post Code

Delivery Address

Full Name
Address
Post Code



STARTING PRICE GBP £820.00 ExVAT
Not inclusive of shipping or double anti-tipper option.



FRAME DIMENSIONS	DIAGRAM KEY	mm
SEAT WIDTH BETWEEN ARMS	A	380/430
WHEEL SIDE GUARD CLEARANCE	B	30
BACKREST HEIGHT	C	280 w/ADJ.
REAR SEAT HEIGHT WITHOUT CUSHION	D	430
BACKREST HEIGHT FROM FLOOR	D + C	710
FOOTREST HEIGHT FROM FLOOR	E	ADJ.
AXLE POSITION FROM BACKREST	F	140
SEAT DEPTH	G	400
MAIN AXLE TUBE TO FRONT OF FOOTREST (DISTANCE TO AXLE TUBE)	H	ADJ. 510mm MAX.
SEAT CAMBER	I	5°
REAR ANTI-TIP TO AXLE TUBE	J	290 - 440mm

CHAIR FEATURES	
MAIN AXLE TUBE TO REAR ANTI-TIP CASTOR	FIXED 620mm
WHEEL OPTION	25" LENCO
WHEEL CAMBER	18 DEGREES
FRAME COLOUR	BLACK
SEAT BASE	CANVAS
REAR ANTI-TIPPERS	SINGLE (STANDARD)
	DOUBLE (OPTIONAL)

MODEL	BDM25-ST/380	BDM25-ST/430
QUANTITY		
REAR ANTI-TIPPER - SINGLE (NO CHARGE)		
REAR ANTI-TIPPERS - DOUBLE (£95 PER CHAIR)		
SHIPPING COST		
TOTAL COST		

Prices are exclusive of VAT.